

BAUER

Solartechnik GmbH



BS-6P5-EL

Polycrystalline solar modul 265 - 275 W



PERFORMANCE GUARANTEE

20 years product warranty and a linear performance guarantee over a period of 25 years



CERTIFICATION

Permanent in-house quality control, multiple certifications by accredited inspection bodies



EFFICIENCY

High efficiency for optimum yield - innovations directly influence the production process



POSITIVE POWER TOLERANCE

Exclusive delivery of solar modules with positive power tolerance only



WEATHER-RESISTANT

Standardized mechanical load test guards against damage from wind and weather



GERMAN GUARANTOR

In case of need it is ensured that a German company assumes the claim settlement



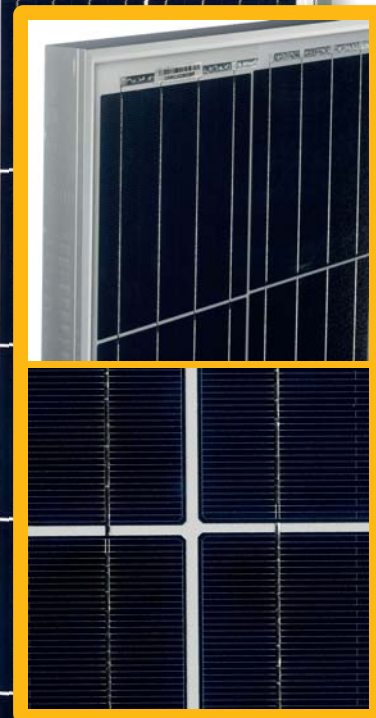
SAFETY

High-quality components ensure maximum protection in all weather conditions



HANDLING

Low storage / transport cost and easy installation thanks to an intelligent packaging concept



PROVEN & GUARANTEED BY
BAUER SOLARTECHNIK

HIGH QUALITY STANDARDS BY GERMAN ENGINEERS



Mechanical Data

| | |
|--------------------|---|
| Cell type | polycrystalline 156 x 156 mm |
| Cell formation | 6 x 10 (60) |
| Module dimensions | 1640 x 990 x 35 mm |
| Weight | 18,3 kg |
| Front cover | tempered glass, 3,2 mm |
| Frame material | anodized aluminium alloy |
| Module back | TPT foil |
| Embedding material | EVA |
| Connection | junction box \geq IP 65 |
| Number of diodes | 3 x 2 bypass diodes |
| Cabel / connector | 4 mm ² , 1000 mm, MC4-compatible |

Temperature coefficients

| | |
|-------------------------------------|--------------|
| Nom. operating cell temp. (NOCT) | 45°C \pm 2 |
| Temperature coefficient of I_{sc} | +0,045 %/K |
| Temperature coefficient of V_{oc} | -0,292 %/K |

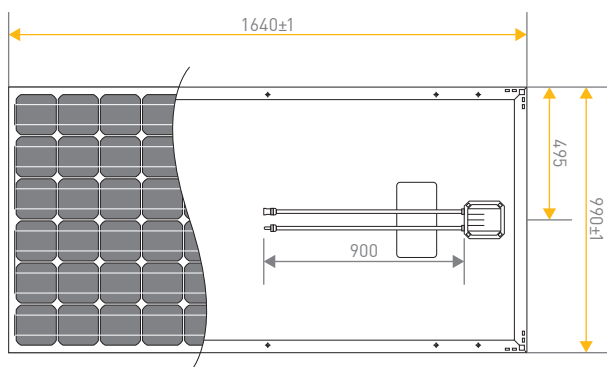
Operational conditions

| | |
|----------------------------|--------------------------------|
| Maximum system voltage | 1000 V DC (TÜV) |
| Operating temperatur | -40 bis 85°C |
| Maximum series fuse rating | 20 A |
| Static load (snow/wind) | 5400 Pa |
| Hail | \varnothing 25 mm bei 23 m/s |

Electrical data¹

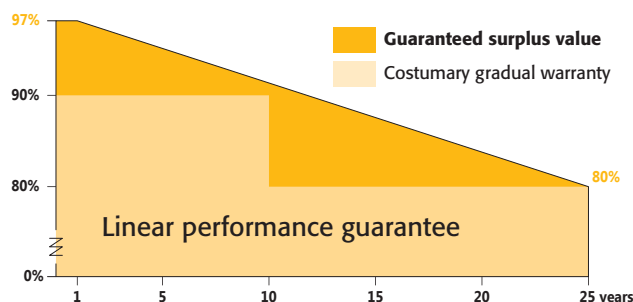
| | BS-265-6P5-EL | BS-270-6P5-EL | BS-275-6P5-EL |
|---|---------------|---------------|---------------|
| Nominal maximum power P_{max} (W _p) | 265 W | 270 W | 275 W |
| Power output tolerance P_{max} (%) | 0 ~ +3 | 0 ~ +3 | 0 ~ +3 |
| Optimum operating voltage V_{mpp} (V) | 31,00 | 31,20 | 31,30 |
| Optimum operating current I_{mpp} (A) | 8,55 | 8,67 | 8,79 |
| Short circuit current I_{sc} (A) | 9,10 | 9,19 | 9,27 |
| Open circuit voltage V_{oc} (V) | 38,20 | 38,30 | 38,40 |
| Module efficiency η_m (%) | 16,32 | 16,63 | 16,94 |

Dimensions



Warranty conditions²

| | |
|-----------------------|------------------------------------|
| Product warranty | 20 years |
| Performance guarantee | 25 years (min. 80% after 25 years) |



Packaging units

| | |
|--------------------|---------|
| Modules per pallet | 30 pcs |
| Module per truck | 840 pcs |

Qualification & certification

IEC 61215:2005
IEC 61730-1:2004 / IEC 61730-2:2004



¹Values under Standard Test Conditions (STC): air mass 1,5 AM, irradiance 1000 W/m², cell temperature 25°C. STC measuring tolerance: ± 3 % (P_{max}), ± 10 % (V_{max} , I_{mpp} , V_{oc} , I_{sc}). ²Nominal value is specified in the written warranty conditions. Note: Please read safety instructions and installation manual before using this product. Subject to change. © 2017 Bauer Energiekonzepte GmbH. Effective 13th of october 2017.



Distribution:

BAUER 
ENERGIEKONZEPTE

Bauer Energiekonzepte GmbH
Hinter der Mühl 2 · D-55278 Selzen

Telefon: +49 (0) 6737 - 8081 - 60
Fax: +49 (0) 6737 - 8081 - 66

info@bauer-energiekonzepte.de
www.bauer-energiekonzepte.de